

theMova S360-101 AP BK

Item no.: 1030557

theben

Presence and motion detectors
Indoor detectors

Description

- Passive infra-red motion detector for ceiling installation
- Circular detection area 360°, up to Ø 9 m (64 m²)
- Automatic motion and brightness-dependent control for lighting and HVAC
- Mixed light measurement suitable for fluorescent lamps (FL/PL/ESL), halogen/incandescent lamps and LEDs
- Channel A light: relay, 230 V
- Operation as fully automatic device
- Brightness switching value configurable, teach-in function
- Pulse function for staircase light time switch
- Channel H, presence: relay, floating e.g. for HVAC control
- Time delay configurable
- Detection sensitivity configurable
- Test mode for checking function and detection area
- Ready for immediate use due to factory presetting (Brightness switching value 300 lux, Time delay 10 min.)
- One of these optional remote controls is required for changing the values and attitudes:
 - Management remote control SendaPro
 - Installation remote control theSenda P
 - Optional user remote control: theSenda S



Technical data

theMova S360-101 AP BK	
Operating voltage	230 V AC
Frequency	50 Hz

theMova S360-101 AP BK	
Installation height	2 – 4 m
Installation type	Ceiling installation

Subject to technical changes and misprints

additional information at: www.theben.de/product/1030557

The load data are determined with exemplary selected illuminants and are therefore typical data due to the large number of available products.

theMova S360-101 AP BK

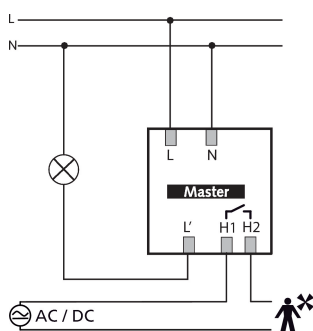
Item no.: 1030557

theben

Technical data

theMova S360-101 AP BK		theMova S360-101 AP BK	
Colour	Grey	Inrush current	max. 400 A / 200 μ s
Switching output	Light Presence	LED lamp < 2 W	25 W
Power consumption	~0.5 W	LED lamp 2-8 W	250 W
Light measurement	Mixed light measurement	LED lamp > 8 W	250 W
Setting range brightness	30 – 3000 lx	Presence switch-off delay	10 s - 120 min
Light switch-off delay	10 s - 60 min	Switching capacity presence	50 W/50 VA
Type of contact light	Relay 230 V/10 A μ -contact	Type of connection	Spring terminals
Lamps	Incandescent/halogen lamps, fluorescent lamps, Energy saving lamps, LEDs	Detection range	50 m ² (\varnothing 8 m 360°)
Incandescent/halogen lamp load	2300 W	Detection angle	360°
Compact and fluorescent lamps	1150 VA ($\cos \phi = 0,5$)	Ambient temperature	-15°C ... 50°C
		Type of protection	IP 54 (when fitted)

Connection example



Detection range for planning applications at a temperature of 21 °C

Mounting height (A)	Head on to (R)	Diagonally (t)
2 m	5 m ² 2.5 m	38 m ² 7 m
2.5 m	7 m ² 3 m	38 m ² 7 m
3 m	13 m ² 4 m	50 m ² 8 m
3.5 m	13 m ² 4 m	50 m ² 8 m
4 m	13 m ² 4 m	64 m ² 9 m

Subject to technical changes and misprints

additional information at: www.theben.de/product/1030557

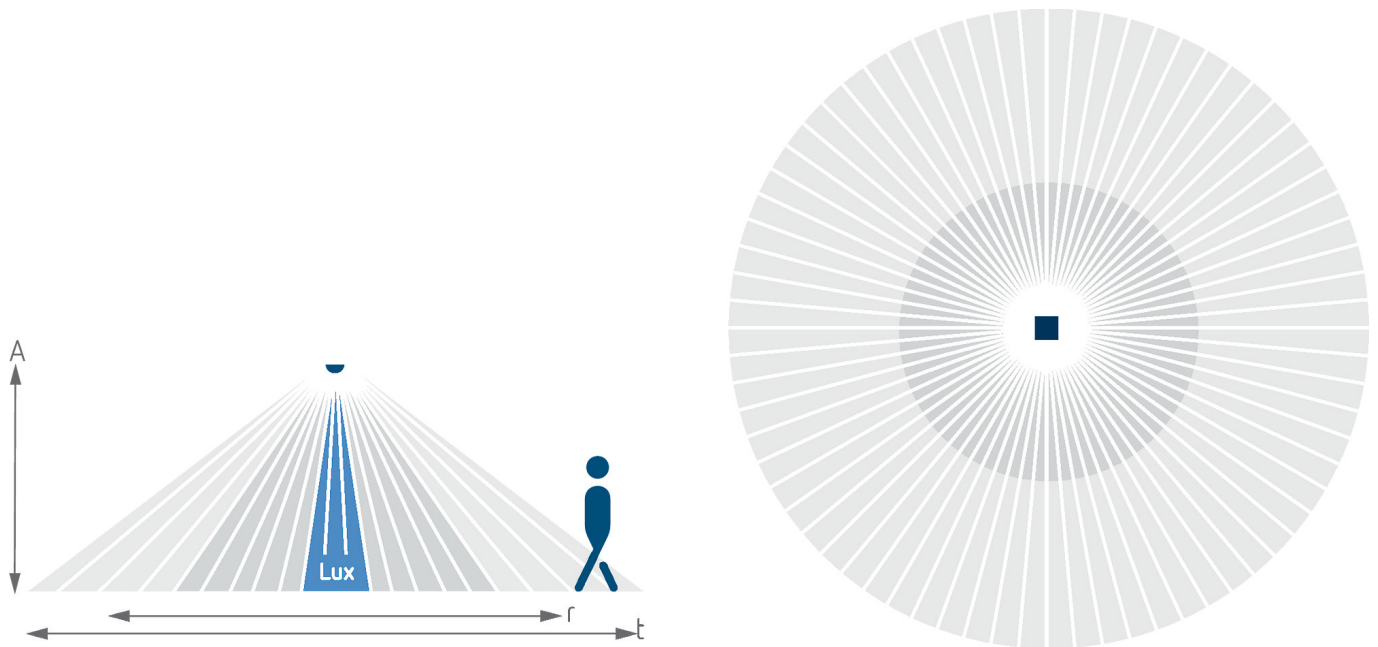
The load data are determined with exemplary selected illuminants and are therefore typical data due to the large number of available products.

theMova S360-101 AP BK

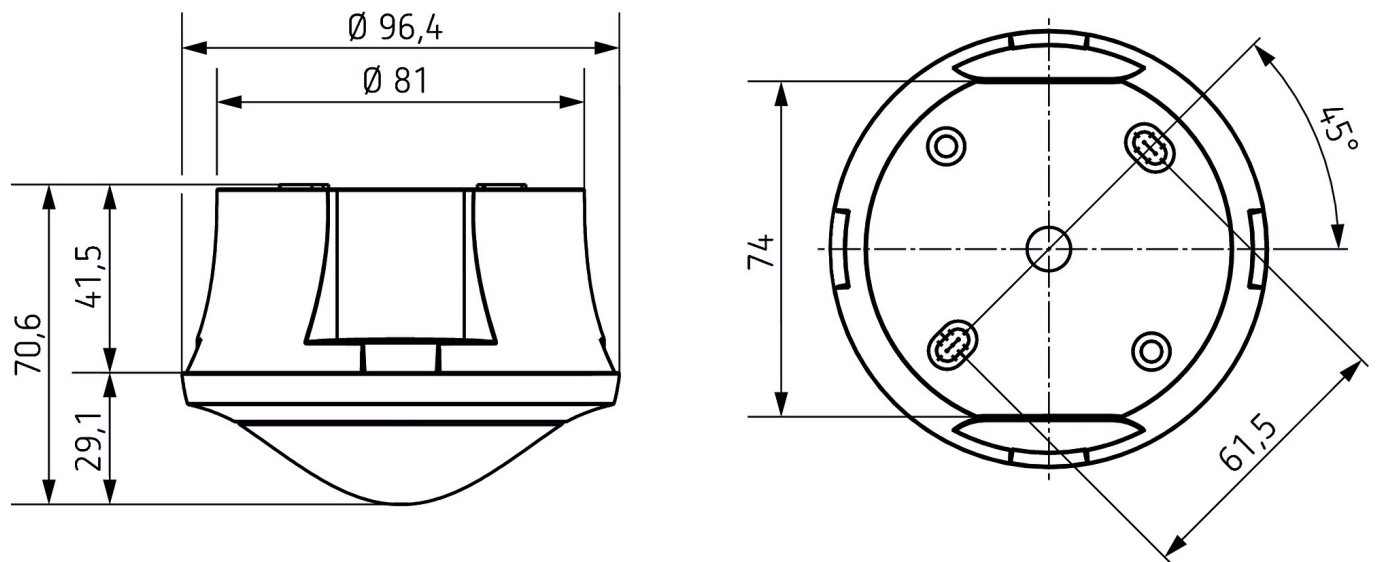
Item no.: 1030557

theben

Detection range for planning applications at a temperature of 21 °C



Scale drawings



Subject to technical changes and misprints

additional information at: www.theben.de/product/1030557

The load data are determined with exemplary selected illuminants and are therefore typical data due to the large number of available products.

theMova S360-101 AP BK

Item no.: 1030557



Accessories

theSenda P

Item no.: 9070910



theSenda S

Item no.: 9070911



theSenda B

Item no.: 9070985



Subject to technical changes and misprints

additional information at: www.theben.de/product/1030557

The load data are determined with exemplary selected illuminants and are therefore typical data due to the large number of available products.